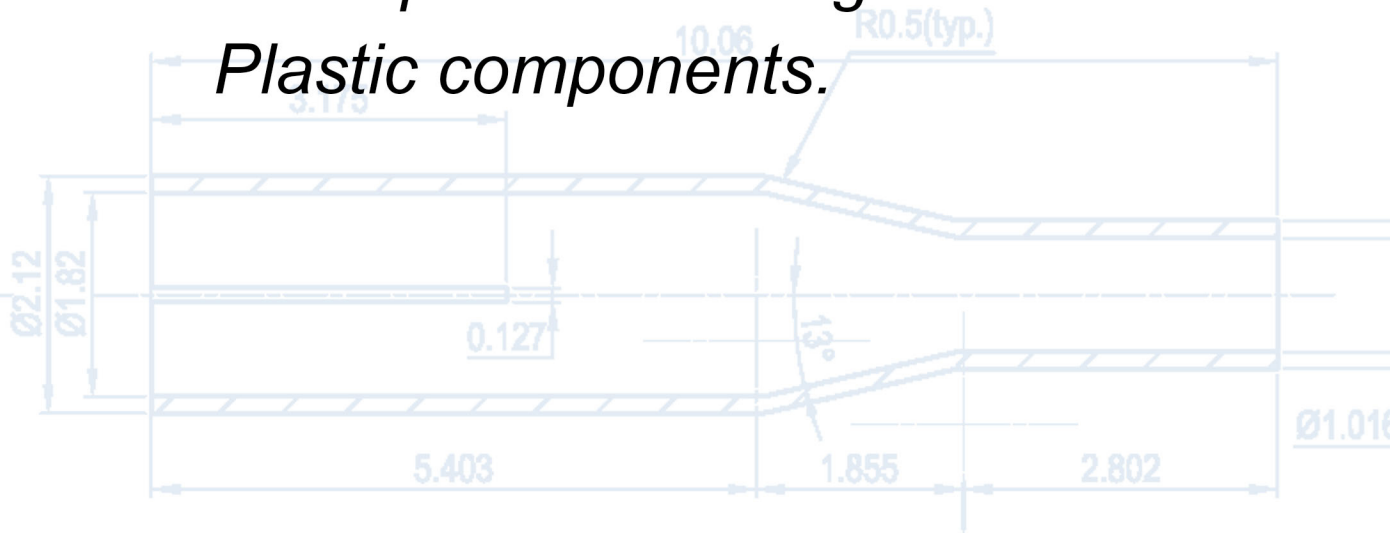




InsulFab Plastics Inc.

CNC Machining & Stamping

*Total Solutions provider of Engineered
Plastic components.*



SECTION B-B Detail Part # 4

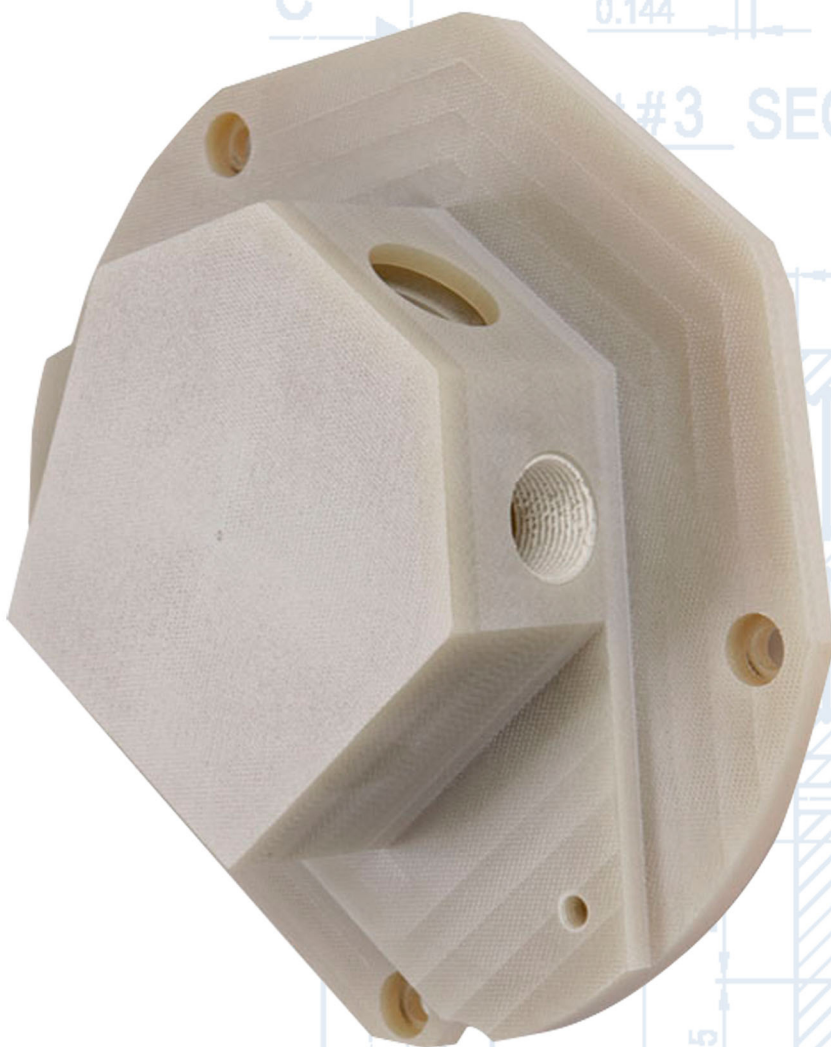
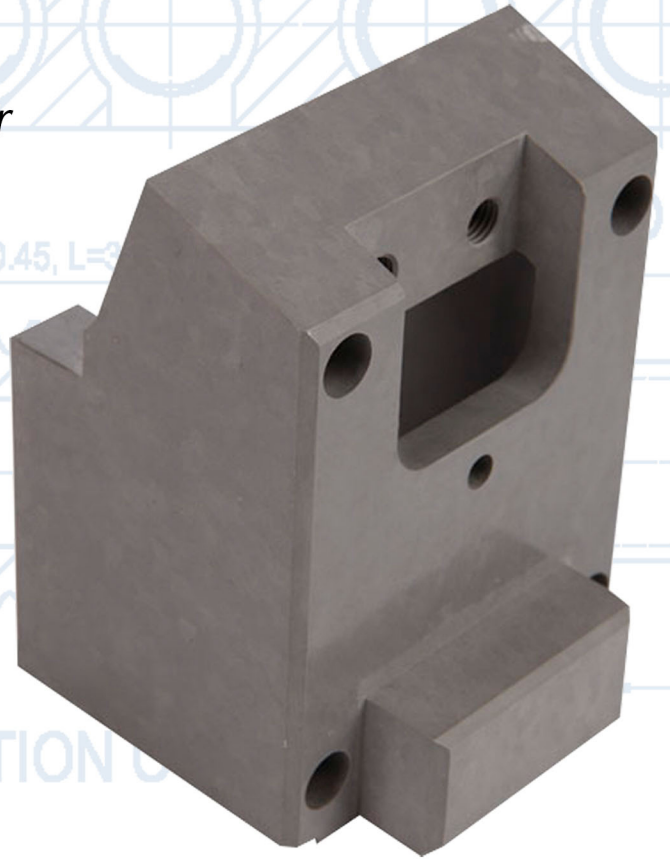
M2.5x0.45, L=3.0



CNC Milling

InsulFab specializes in tight-tolerance CNC Machining of Non-Metallic polymer based components.

We utilize state of the art multi-axis CNC machining centers to manufacture your plastic components to your exacting specifications.



From prototype to production, our team is ready to help when you need a partner you can count on for your mission critical components.

Our team of Engineers offers total fabrication solutions for CNC Milling, Turning, Routing, Sawing, and many other custom fabrication solutions.

CNC Turning

CNC Turning of high-performance and engineering plastic materials is a main core competency. Our multi-axis CNC controlled lathes with live-tooling enable our team of expert machinists and engineers to achieve precise turned part geometries.

Common Turning Operations

Facing / Parting / Grooving

Boring / Drilling / Knurling

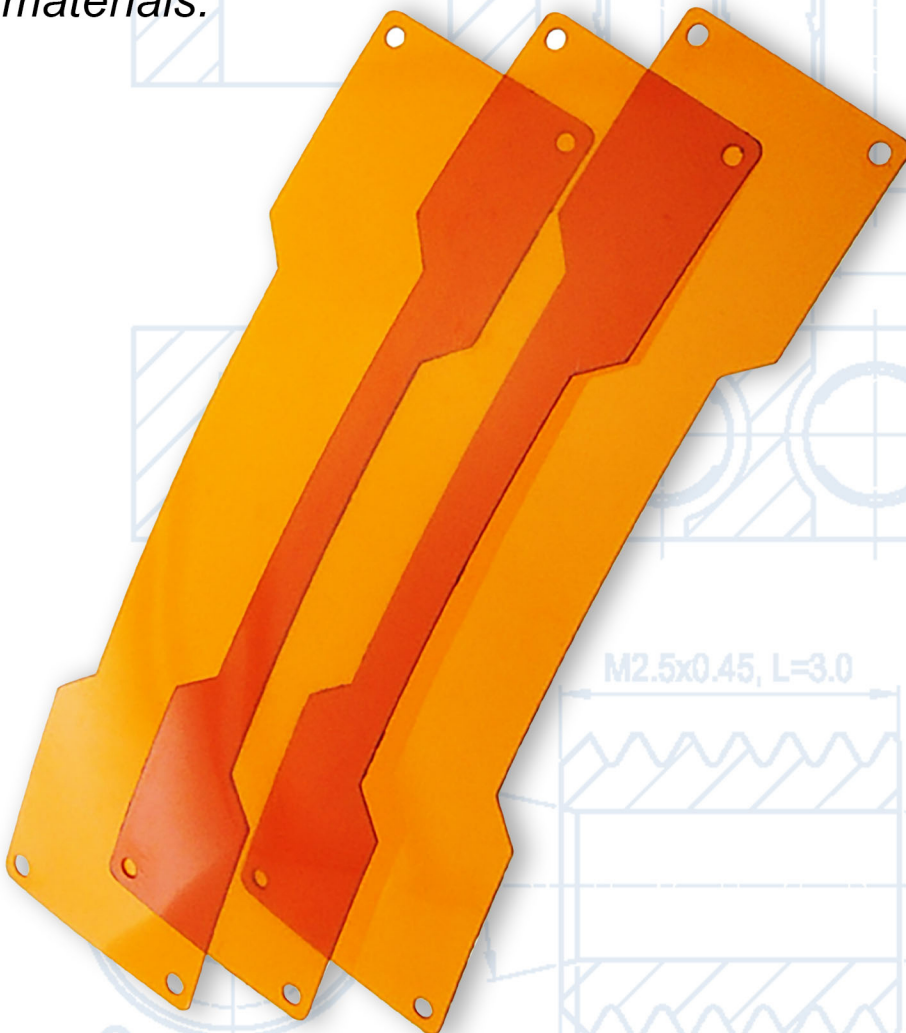
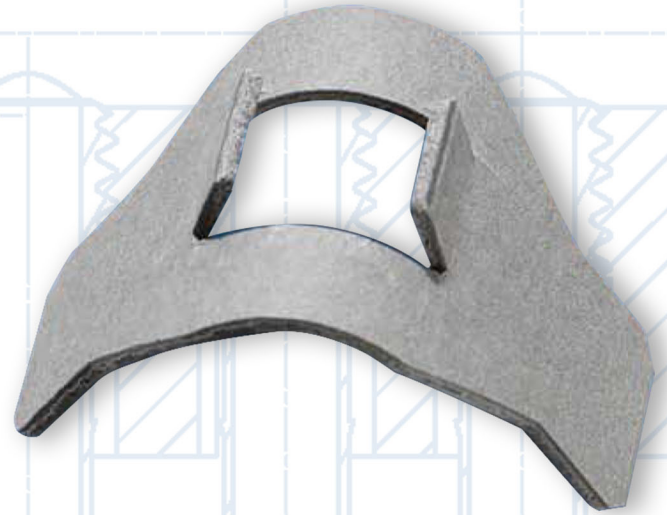
Threading / Reaming



Stamping

InsulFab specializes in tight-tolerance high-speed Stamping and Die-Cutting of Non-Metallic components.

We utilize state of the art high-speed stamping presses to manufacture your precision stamped plastic parts from thermoplastic films, fibers, and thermoset laminate and composite materials.



Applications

- *insulators*
- *seals*
- *washers*
- *spacers*
- *gaskets*
- *shims*
- *isolation*
- *barriers*

Quality & Certifications

Established in 1923, InsulFab Plastics has long established itself as the market leader in the manufacture of Precision CNC Machined & Stamped plastic components with extensive market expertise serving the following industries:

**Aerospace / Power Generation / Medical / Semiconductor
Food Processing / Electronic / Automation / Electrical
Military / Interconnect / Transportation / Life Science**

Utilizing state-of-the-art inspection equipment and methodologies, InsulFab's Quality Engineers are fully equipped to ensure that your tight-tolerance parts meet your exacting specifications. It's our goal that your finished parts not only meet, but exceed your expectations.

ISO 9001:2015 Certified

ITAR Certified

First Article Inspection Reports

PPAP documentation

Material Lot Traceability

AOI Inspection





InsulFab

SECTION A-A

InsulFab Plastics, Inc.
834 Hayne St.
Spartanburg, SC 29301
www.insulfab.com

1-800-845-7599